

ISIMET

Model ESM-100

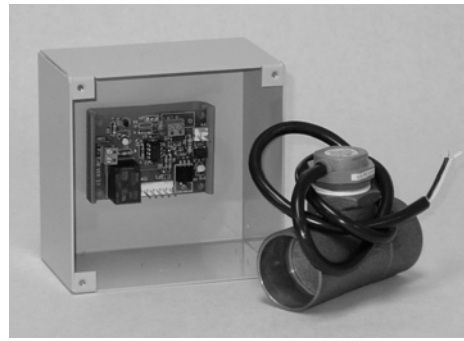
Emergency Shower Monitoring Unit

N/O Dry-contact Output Configuration

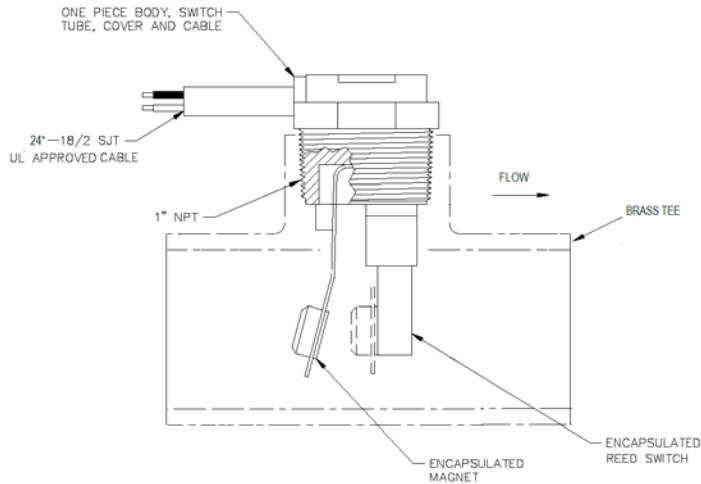
Installation Instructions

ISIMET

103 C.J. Wise Parkway
Naples, TX 75568
(903) 897-0737
(903) 897-0740 fax



The ISIMET Emergency Shower Monitoring Unit is a companion component to the ISIMET Utility Controller System. The unit is provided with a micro-flow switch, time delay circuit, junction box, and mounting hardware. The unit is not provided with a power source and must derive 24-vac operating power from the companioned Utility Controller.



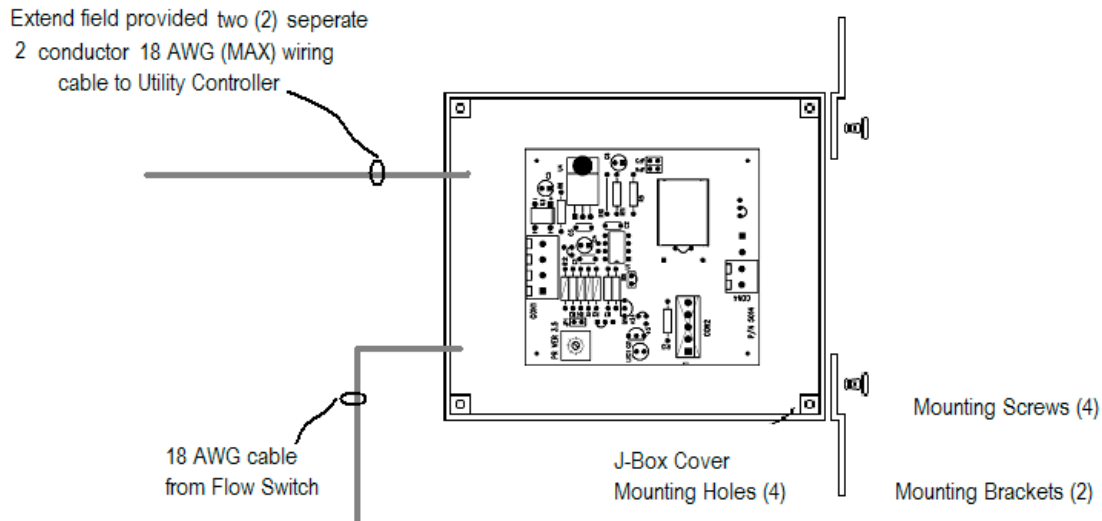
Installing the Flow Switch:

The flow switch is intended to be installed directly upstream in the supply line from the emergency shower. Care should be taken that direction of flow corresponds to flow indicator on top of switch housing. The switch activates at 5 GPM. We recommend that the TEE fitting be installed prior to insertion of the switch into the TEE's outlet and that Teflon tape is applied on the threads.

CAUTION: Use of a TEE with threaded adapter and/or bushing reducer may not be suited for this application and may restrict the flow-switch's ability to register flow at the shower.

Mounting the Wall Box:

Using the provided mounting brackets and screws, secure the unit to a structural member near the flow switch to permit the 24' cable provided with the switch to be connected to the time delay circuit board without need for an extension to that cable. After mounting and installation of interconnect cabling, we recommend that the cover be placed over the box opening to prevent debris from potentially damaging the unit.

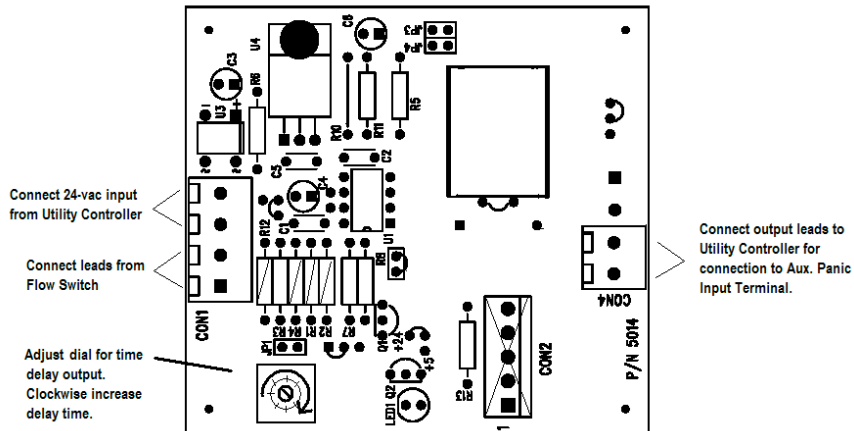


Wiring the Flow Switch Control:

Providing field wiring (two (2) separate - 2 conductor -18 awg max cables.), make connections to the Utility Controller. Operating power is derived from the Controller. Care should be taken to insure that wiring connections are made per these instructions.

DO NOT route wiring for this device within conduit containing either 120-vac line or 24-vac control – operating wiring. *ISIMET* recommends that this wiring be installed in shielded, plenum rated cable outside of conduit in order to prevent potential malfunctions due to transient voltage.

Important!
 All local electrical codes must be followed when connecting the conduit to the service panel and making wiring connections.
 Do not install wiring or cable for integrated systems, remote panic assemblies or other interface wiring within conduit for either 24-vac control or 120-vac line voltage. Each wiring system should be housed in independent conduit and not bundled with wiring for other systems.



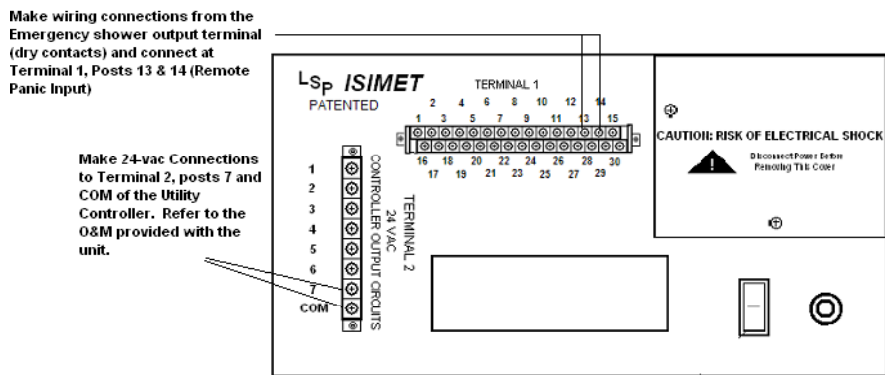
Wiring the Unit to the Utility Controller:

Make 24-vac connections to the Utility Controller's Terminal 2, posts 7 & COM (AUX. 24-vac OUTPUT.) Refer to O & M provided with the unit.

Note: If other wiring is presently connected to either terminal, do not remove. Make connections in parallel.

Make wiring connections from the Emergency shower output terminal (Dry contacts) and connect at Terminal 2 as shown below.

Note: If other wiring is already connected to these terminals, make connections in parallel.



Test the Unit:

Verify that the Utility Controller is ON. Activate at least one of the output circuits on the Controller. Set the time delay output to the desired setting. Activate the emergency shower. After the delay interval, the dry contact of the time delay circuit should close sending a panic signal to the Controller, placing that unit into the Panic Mode.

If the unit fails to operate, contact *ISIMET* or a factory representative.